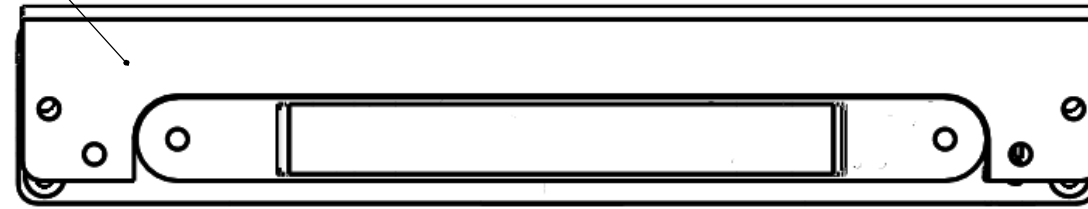
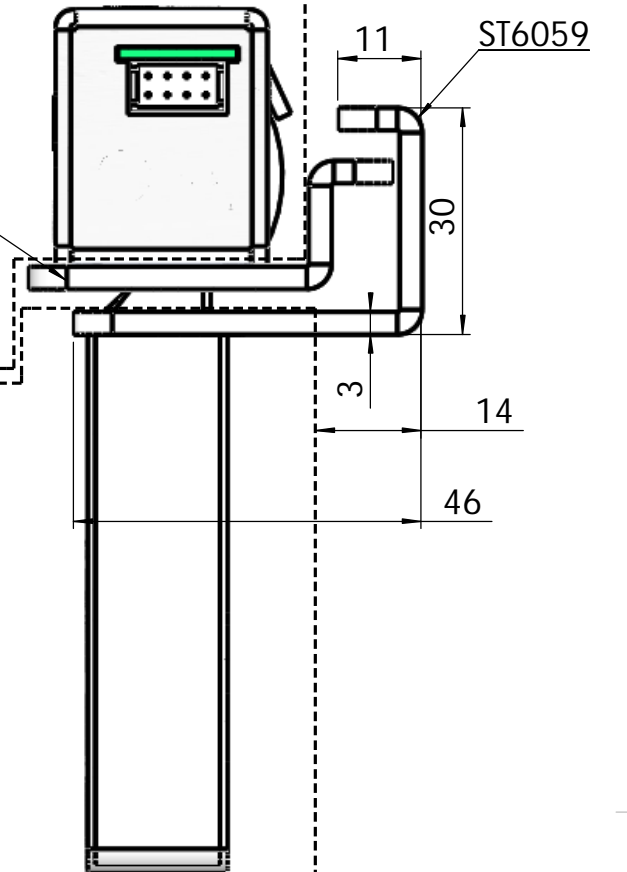
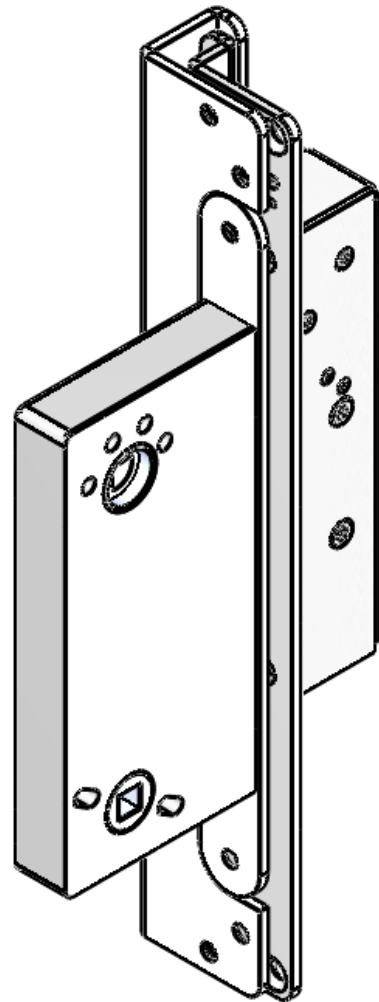
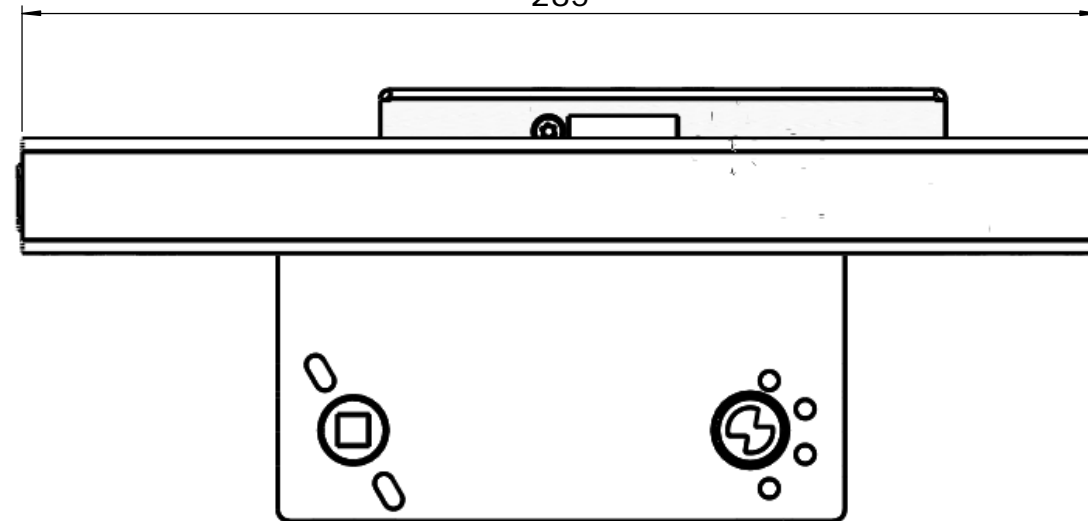


Hakande montage stolpe  
gör dörren säkrare. säljs separat

ST6059



285



Material			Surface finish		
Designed by	Checked by	Approved - date 2015-08-31	General tolerance SS-ISO 2768-1 m	Viewing 	Scale 1:20
Owner  Stendals EI			Title/Description  Brytskydd 285 mm		
			Drawing no ST6059	Revision	Sheet